


Manufactured by...



1148 Dilts Street, Chesterfield, IN, USA, 46017  
 info@i3mfg.com  
 www.i3mfg.com

PROJECT: **300 SERIES - 8 FT PANEL** LOCATION:

CLIENT: **I3 MANUFACTURING**

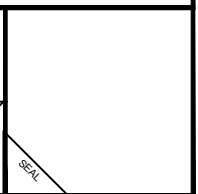
| ALUMINUM GUARDRAILS |                |              |
|---------------------|----------------|--------------|
| DRAWN               | AB             | PROJECT No - |
| DATE                | 2026-01-12     | REVISION # - |
| SCALE               | 1-7/8" = 1'-0" | CHECKED -    |

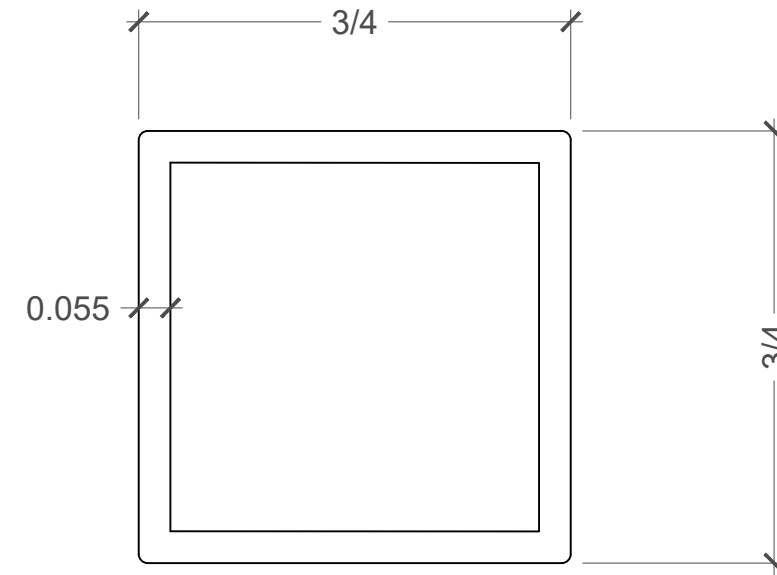
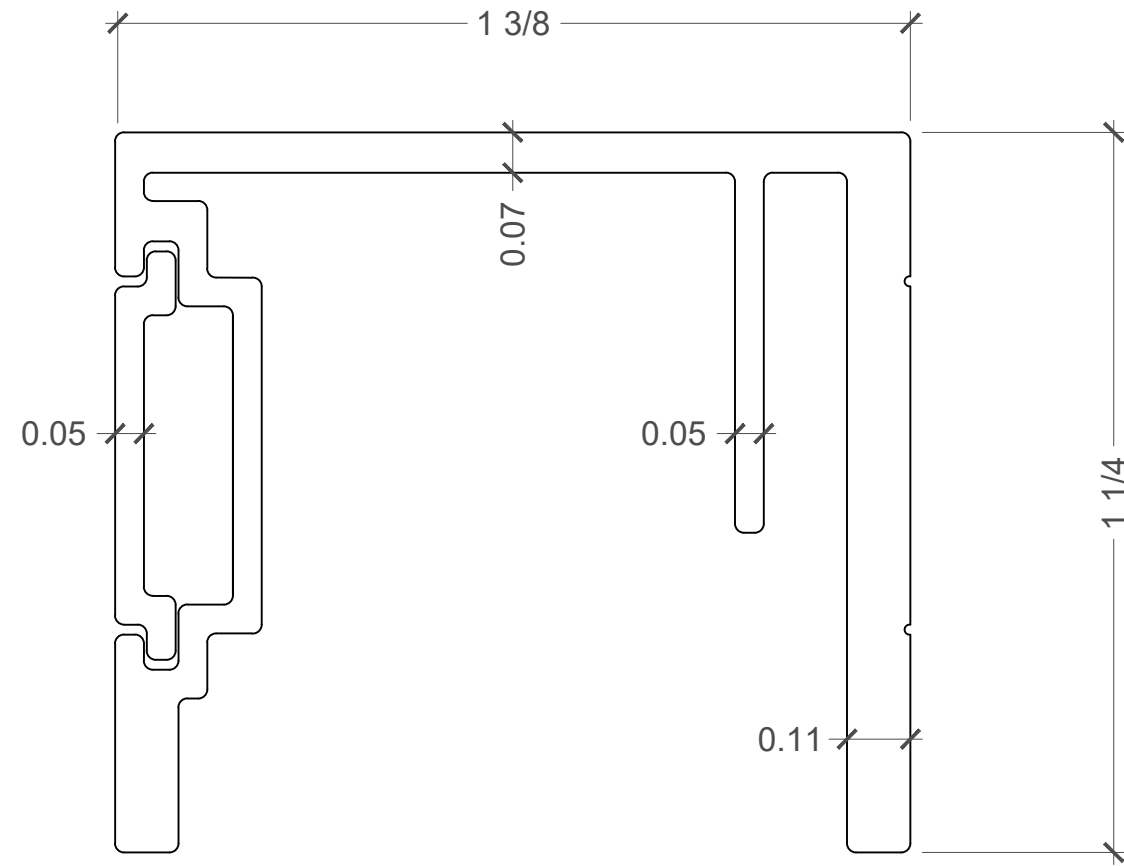
**PLEASE NOTE:** these are not engineered or tested components. You are responsible and liable for ensuring these components are suitable, site engineered, and meet any/all applicable codes and engineering for your application. I3MFG., assumes no responsible or liability for fitness of use.

H:48" x W:96" 300 Series Panel

DRAWING #

|   |
|---|
| 1 |
| 2 |





Manufactured by...  
  
 1148 Dilts Street, Chesterfield, IN, USA, 46017  
 info@i3mfg.com  
 www.i3mfg.com

PROJECT: **300 SERIES - 8 FT PANEL** LOCATION:  
 CLIENT: **I3 MANUFACTURING**

**ALUMINUM GUARDRAILS**

|       |               |            |   |
|-------|---------------|------------|---|
| DRAWN | AB            | PROJECT No | - |
| DATE  | 2026-01-12    | REVISION # | - |
| SCALE | 2'-0" = 1'-0" | CHECKED    | - |

**PLEASE NOTE:** these are not engineered or tested components. You are responsible and liable for ensuring these components are suitable, site engineered, and meet any/all applicable codes and engineering for your application. I3MFG., assumes no responsible or liability for fitness of use.

**300 Series Panel - Top Rail Profile**

|           |   |
|-----------|---|
| DRAWING # | 2 |
|           | 2 |

SEAL